



# U2-MDK1U

## User's Manual

### Contents

<b>1. Introduction .....</b>	<b>1</b>
<b>2. Setting .....</b>	<b>3</b>
<b>3. Installation .....</b>	<b>9</b>
<b>4. Exchanging HD cases .....</b>	<b>12</b>
<b>5. Registration and Tech-support.....</b>	<b>13</b>
<b>6. Specifications .....</b>	<b>13</b>

Jan. 2003

Rev 1.0

---

# 1. Introduction

---

## 1-1. Features

- The interface module includes RATOOC's original circuit and firmware for high-performance USB2.0 to IDE conversion. It supports UDMA mode 4.
- RATOOC's original circuit and firmware enables a removable HDD.
- Allows HDD exchanging without the System shutdown or restart.
- Support 'Big Drive'/48bit LBA.
- The HDD tray includes 80-conductors ATA133/100 cable and convenient pull-out handle.

## 1-2. Package Confirmation

Check your package contents:

- U2-MDK1
- One lock key
- Screws to mount a HDD
- USB2.0 mother board cable  
(2.54mm pitch single header 4pin --USB TypeB-M)
- User's Manual



### NOTE

- 1.A HDD isn't included in the package.**
- 2.If any of these items are missing from the retail package, contact your supplier immediately.**

## 1-3. System Requirements

- Windows  
OS:Windows XP-SP1/2000/Me/98SE  
PC with USB port

## 1-4. Restrictions

- (1) A HDD power cable is required exclusively.  
For more information, refer to Chapter 2-2.
- (2) If you exchange a HDD, refer to Chapter 4.
- (3) The following HDDs are guaranteed to work fine with the U2-MDK1U.  
(Sept. in 2002).  
For more information, refer to our web site:  
(<http://www.rexpccard.co.jp/english/>)

IBM DTLA Series/IC35 Series  
Maxtor DiamondMAX Series  
Fireball Plus AS Series  
Seagate Barracuda ATA Series

- (4) Supports the following ATAPI MODE:  
PIO MODE 4/DMA MODE 0-2/ULTRA DMA MODE 0-4

## 1-5. Caution

Just in case, you should back up important data stored in a HDD of your PC or in a HDD used with U2-MDK1U before you use it.  
RATOC assumes no liability resulting from the loss of important data.

---

## 2. Setting

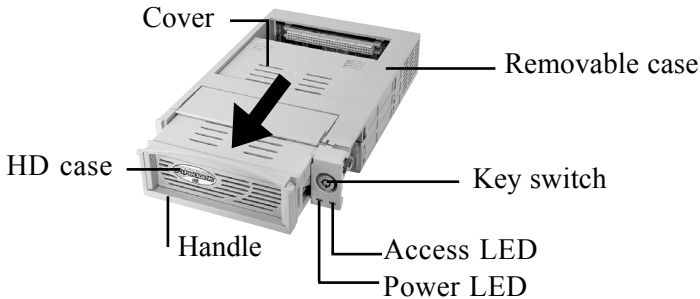
---

This chapter explains how to set up U2-MDK1U. Proceed to Chapter 2-1.

### 2-1. Attaching a HDD to U2-MDK1U

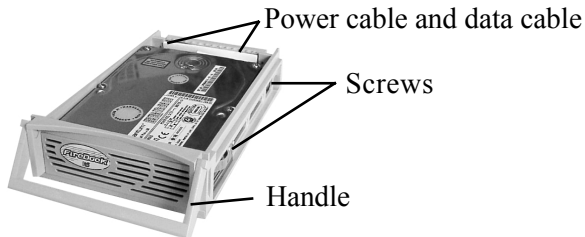
To attach a HDD to the U2-MDK1U, follow the steps:

- (1) Turn the key switch to the UNLOCKED POSITION. Then, lift handle to release the HD case from the removable case and pull out.



- (2) Slide cover off the HD case and connect power and data cable to the HDD. Mount the HDD in the HD case with the screws provided.

**(NOTE) You must set [MASTER] position at HDD jumper setting. For a Western Digital HDD, set [SINGLE] position at HDD jumper setting. For more information, refer to its manual.**



- (3) Reinstall cover on the HD case and push the HD case back into the removable case.
- (4) Lower handle and lock the HD case with the lock key provided. If you don't lock it, U2-MD1U won't work.

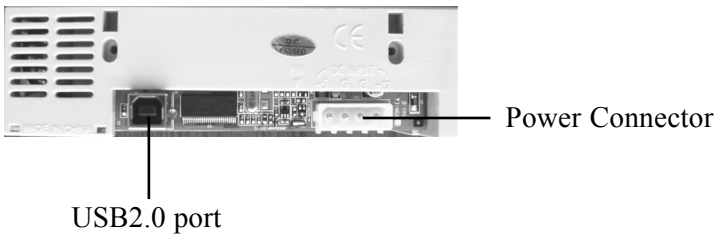
**Next, proceed to 2-2 to attach the U2-MDK1U to your computer.**

## 2-2. Attaching the U2-MDK1U to your computer

- (1) After attaching the HDD at Chapter 2-1, confirm your computer is turned off. Then, attach the U2-MDK1 to a 5 inch bay as shown below.



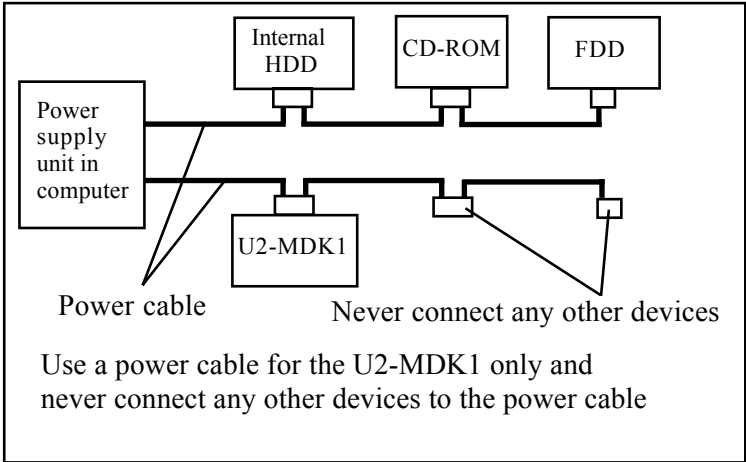
- (2) You need a power cable for the U2-MDK1U only. You should not connect other devices other than the U2-MDK1U to the power cable. Connect the cable to the power connector on the rear panel as shown below. Refer to **[Connecting a HDD power cable]** in the next page for more information. **After connecting the cable, proceed to Chapter 2-3.**



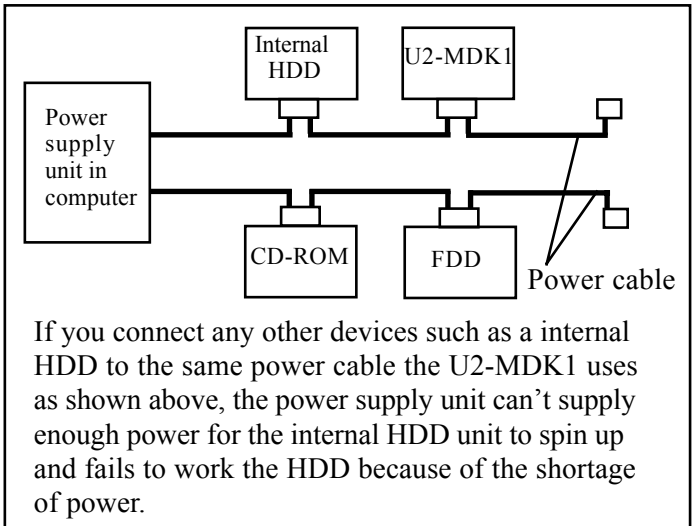
## [Connecting a HDD power cable]

Sometimes the HDD in the U2-MDK1 causes in-rush current problem at the startup. To avoid the power shortage or the influence to other devices, we strongly recommend to use a separate power connector for each HDD as shown in the RIGHT CONNECTION.

### RIGHT CONNECTION



### WRONG CONNECTION



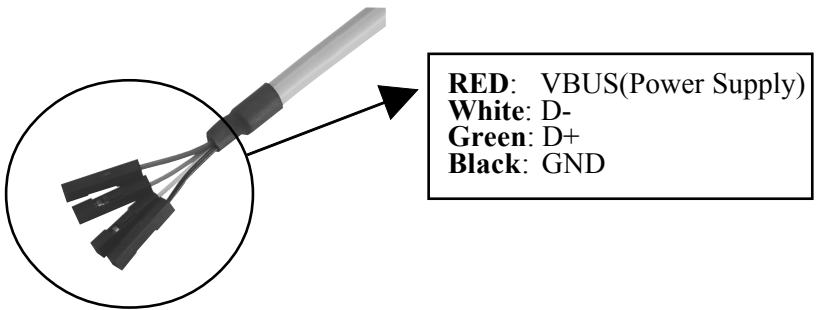
### 2-3.Connecting the bundled USB2.0 mother board cable

#### NOTICE

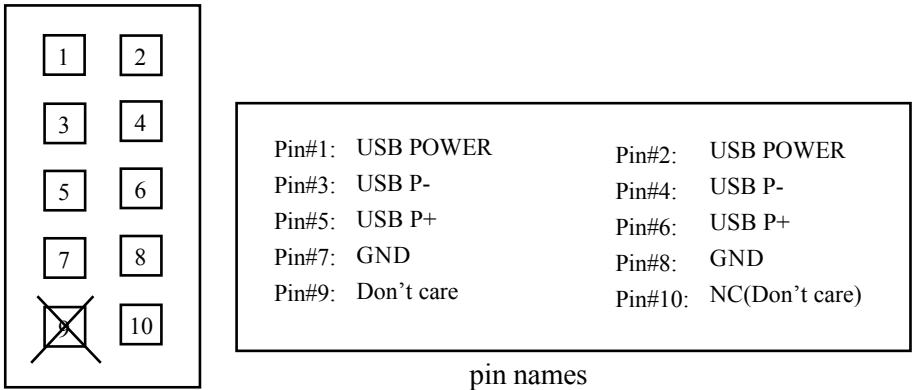
- Connect the bundled USB2.0 cable at your own risk.RATOC assumes no liability resulting from the breakage of a mother board or other devices, caused by connecting the cable mistakenly.
- The bundled USB2.0 mother board cable is certified with USB2.0 logo, but the cable doesn't guarantee the USB 2.0 performance with a mother board.
- Before connecting the cable, be sure to turn off your system and unplug the power cable. To avoid the breakage with static charge or shocks, be careful to read the user's manual that accompanied your mother board.

Follow the steps carefully to connect the USB2.0 mother board cable.

(1)The connector at the side of a mother board comprises the following 4 kinds of connectors.

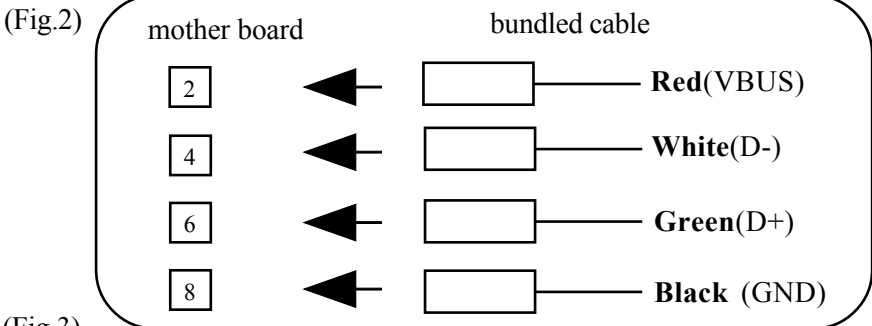
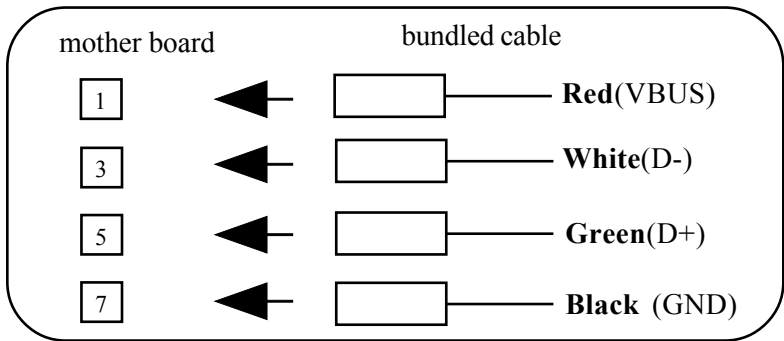


(2) Connect these connectors to a USB2.0 connector on a mother board.  
 Please note USB2.0 pin assignment or pin names vary in different mother boards, so we take as an example a mother board of which pin assignment is recommended by Intel. See Fig.1.



(Fig.1)  
 pin assignment  
 recommended by Intel.

For pin assignment recommended by Intel, connect the bundled USB2.0 mother board cable as shown in Fig.2 or Fig3.:

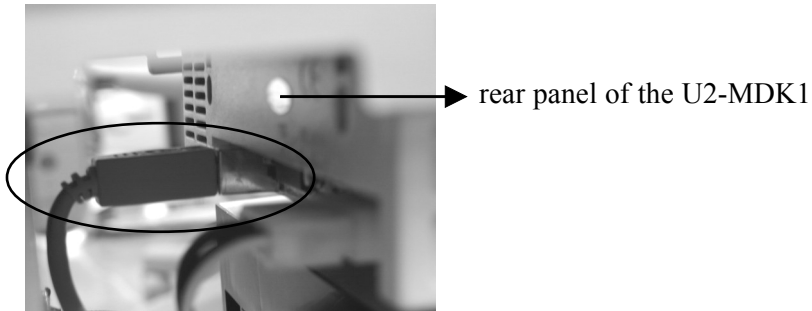


(Fig.3)

Please note USB2.0 pin assignment or pin names vary in different mother boards. If your pin assignment or pin names are different from Fig1. shown in the previous page, refer to the table below. Be sure to read user's manual that accompanied your mother board for more information.

Terms of pin names on a mother board	The name of the bundled cable
VCC, USB POWER, (+)5V, POWER, etc. Find a word indicating "Power".	RED(VBUS)
DATA-, USB-, USB Dn-(n means number), DMn(n means number), etc. Find a word indicating "Minus".	White(D-)
DATA+, USB+, USB Dn+(n means number), DPn(n means number), etc. Find a word indicating "Plus".	Green(D+)
GND, Ground, etc.	Black (GND)

(3)Connect the USB2.0 connector to the rear panel of the U2-MDK1U as shown below.



**Proceed to Chapter 3.Installation after connecting it.**

# 3. Installation

This chapter explains how to install the driver.

- If you have Windows 98SE, proceed to Chapter 3-1.
- If you have Windows Me/2000/XP, proceed to Chapter 3-2.
- If you have Mac OS, proceed to Chapter 3-4.

## 3-1.Windows 98SE

- (1)Go the the web site(<http://www.rexpccard.co.jp/english/support/index.html>) and download Windows 98SE driver for the U2-MDK1U and extract it.
- (2)Turn the key switch to the LOCKED POSITION.  
The following wizard will appear.



- (2)Select the [Search for the best driver for your device.(Recommended)] option and click [Next].



- (3) Select the **[Specify a location]** option and click **[Browse]** to specify the driver. (The following screen as an example specifies the driver at the U2MDK1U folder in C drive. The location of the driver depends on where you downloaded the driver in your computer at step 1)



- (4) The driver is found. Click **[Next]**.



- (5) Windows has finished installing the driver. Click **[Finish]**. Proceed to Chapter 3-3 to confirm the installation.



### 3-2.Windows Me/2000/XP

Turn the key switch to the LOCKED POSITION.

The driver will be copied automatically. Proceed to Chapter 3-3 to confirm the installation.

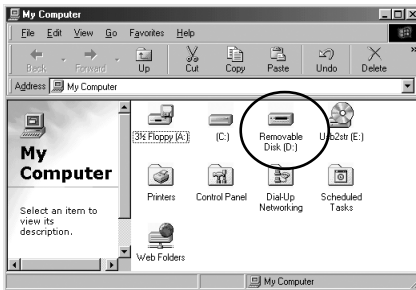
### 3-3.Confirming the installation

Open **[My Computer]**. If you can find a Removable Disk icon as shown below, the driver installation is successful.

When you double click on the Removable icon and get an error saying the device is not ready, check the following:

- 1)The key switch must be in the LOCKED POSITION.
- 2)The HDD in the U2-Dock must be formatted.  
Refer to Chapter 5 for formatting.

Proceed to Chapter 4 for how to use the U2-MDK1.

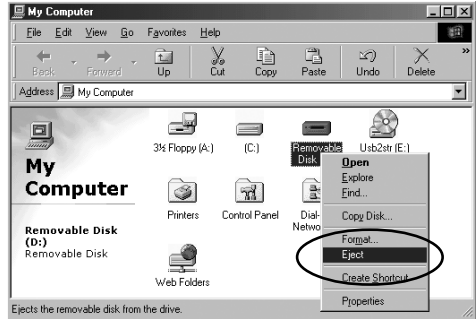


## 4. Exchanging HD cases

This chapter explains how to exchange HD cases.

To exchange HD cases, follow the steps:

- (1) Open **[My Computer]** and right-click on the removable icon. The pull-down menu will appear. Select the **[Eject]**.
- (2) Turn the key switch to the **UNLOCKED POSITION**. (The removable icon still appears even after turning the key switch to the **UNLOCKED POSITION**.)



- (3) Wait about 5 seconds until the HDD spins down completely. Then, exchange HD cases.

### (NOTE)

If you double-click on the removable icon before you turn the key switch to the **LOCKED POSITION**, you will see the following warning message. In this case, after turning the key switch to the **LOCKED POSITION**, double-click on the icon.



( OS:Windows 98SE )



( OS:Windows Me/Windows 2000/XP )

- (4) Turn the key switch to the **LOCKED POSITION**. The HDD will spin up. After a few seconds, the Access LED (RED) will flash. You may access to the HDD after the Access LED flashed.

---

## 5. Registration and Tech-support

---

### 5-1. How to Register

We highly recommend to register yourself as our customer through our on-line registration.

1. On the Internet, access our site.  
(<https://regist.ratocsystems.com/english/>)
2. Follow on-screen instructions to register.
3. Fill out and submit the registration form.

### 5-2. Software Update and Support

#### -Software Update-

The latest driver and application software are subject to change for improvement or bug fix. You can download the latest version from our web site.

(<http://www.ratocsystems.com/english/>)

#### -Technical Support-

You can get a Tech support from RATOOC at the following.

(Open Monday - Friday, 9:30A.M. to 5:00P.M.(PST))

RATOOC Systems International, Inc. Tech support

Address: 1933 O'Toole Avenue Suite A109

SanJose, CA 95131, U.S.A.

Phone : (408)955-9400

Fax : (408)955-9402

E-mail : [int-support@rexpccard.co.jp](mailto:int-support@rexpccard.co.jp)

Web : <http://www.ratocsystems.com/english/>

---

## 6. Specifications

---

Model	U2-MDK1
Interface	Upstream USB2.0 480Mbps one Type B(F) port. Downstream IDE ATA133/100/66/33/PIO4 compatible.
Data transfer rate	For a computer:480/12 Mbps For a drive:66 MBytes
Drive	3.5 inch ATA HD(ATA 133/100/66/33), ATAPI MO, ATAPI Zip
Electrical: Input	5V/12V
Power dissipation	5V/220mA(TPY.), 250mA(MAX), 12V/60mA(FAN) (Excluding HDD power dissipation)
Size	147mm(5.78in)(W) x 213mm(8.38in)(L) x 38mm(1.49in)(H)
Weight	490g(17.3oz)

## **Copyright**

©2003 RATOC Systems, Inc. All rights reserved. No part of this publication may be reproduced, stored in a retrieval system, or transmitted in any form or by any means (electronic, mechanical, photocopying, recording or otherwise) without the prior written consent of RATOC Systems, Inc.

## **Trademarks**

- Windows is a registered trademark of Microsoft Corporation.
- Other brand and product names may be registered trademarks or trademarks of their respective holders.

## **Changes**

The information in this User's Manual is furnished for information only and is subject to change without notice. RATOC Systems, Inc. reserves the right to make changes in the product design or product improvements without reservations and without notification to its users. RATOC Systems, Inc. assumes no responsibility or liability for any errors or inaccuracies that may appear in this document.

## **Regulatory Agency Notice**

### **FCC Compliance Statement**

This equipment has been tested and found to comply with the limits for a Class B digital device, pursuant to Part 15 of the FCC Rules. These limits are designed to provide reasonable protection against harmful interference in a residential installation. This equipment generates, uses and can radiate radio frequency energy and, if not installed and used in accordance with the instructions, may cause harmful interference to radio communications. However, there is no guarantee that interference will not occur in a particular installation. If this equipment does cause harmful interference to radio or television reception, which can be determined by turning the equipment off and on, the user is encouraged to try to correct the interference by one or more of the following measures:

- (1) Reorient or relocate the receiving antenna.
  - (2) Increase the separation between the equipment and receiver.
  - (3) Connect the equipment into an outlet on a circuit different from that to which the receiver is connected.
  - (4) Consult the dealer or an experienced radio/TV technician for help.
- Changes or modifications not expressly approved by the party responsible for compliance may result in this unit not complying with FCC Rules Part 15.

